

2CT Double Dry Clutch Training Program



2CT Double Dry Clutch Training Program

The IAME is conducting a specialist training program for IAME members and Automotive Technicians on the servicing, diagnosis & repair and removal & installation procedures of the latest in double dry clutch system technology. These types of systems are used on many of today's vehicles, including European brands such as Volkswagen and Audi.

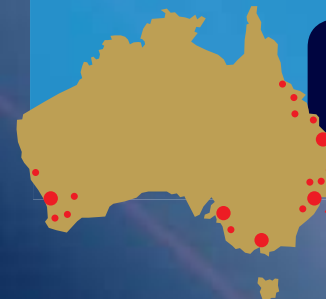
This training program will include hands-on removal & installation procedures together with face to face instruction from Schaeffler Australia's leading training representative – Brett Sage.

This program also encompasses knowledge and skills aspects of all types of modern day clutches and clutch diagnostic processes and procedures. You will be given all training resources and information related to this.

Those who complete the program successfully and meet the required assessment criteria will be eligible to receive recognition for the nationally accredited competency AURLTX3003 – Diagnose & Repair Light Vehicle Clutch Systems.

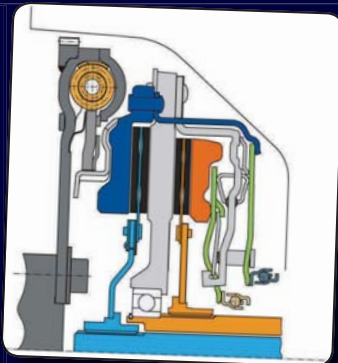
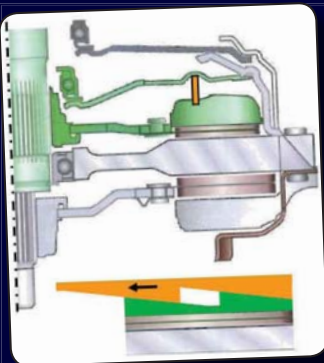
THE IAME CONDUCT REGULAR TRAINING

Call us or visit www.training.iame.com.au for further information or course dates



IAME RTO:
90409

VERSION 2 | 27-05-2015 | 2CTDDC



1. SYDNEY - Friday July 17th 2015
2. MELBOURNE - Monday August 17th 2015
3. PERTH - Thursday September 17th 2015
4. BRISBANE - Monday October 19th 2015

FOR FURTHER INFORMATION please contact Antonella Abbate on (02) 9648 1412

ONLY
\$250

FOR OTHER COURSE DATES AND INFORMATION CONTACT YOUR NEAREST IAME OFFICE

NSW
11-13 Byrne St,
Auburn NSW 2144
(02) 9648 1412

QLD
Unit 1, 115 Bluestone Circuit
Seventeen Mile Rocks Qld 4073
(07) 3715 7595

VIC
19/134 Springvale Rd,
Springvale VIC 3171
(03) 9548 2555

SA
PO Box 104,
Enfield Plaza SA 5085
(08) 8342 1444

WA
234B Epsom Rd
Belmont WA 6104
(08) 9478 1642